



DESCRIPTION

The American Auto-Matrix AspectFT-eSC MAX™ is an embedded building automation network controller that provides for the rapid integration of legacy Teletrol sites by supporting the TSC protocol. As a single device, or as part of a larger AspectFT building system platform, the eSC MAX combines network supervision, data logging, alarming, scheduling, web serving capabilities, Internet connectivity, and building system network routing, bridging EIA-485 networks to IP networks. Predefined templates and application graphics are also included, allowing for expedited project deployment and a reduction in development time.

With the AspectFT-eSC MAX, you can integrate with your building easily and efficiently. Features such as the ability to push and pull data with popular networked databases, and HTML5 integration that provides access to vital system data on your PC, tablet and smartphone, eliminates the need for a dedicated operator workstation or expensive add-on software to view a system, providing facility managers and end-users more freedom.

FEATURES & OVERVIEW

HARDWARE SPECIFICATIONS

ARM Cortex-A8 1 GHz Processor
Injection molded enclosure
512 MB RAM / 2 GB Flash

COMMUNICATIONS

10/100 MB Ethernet Port
(RJ-45 Connection)

2 EIA-485 Ports
(model dependent)

OPERATING SYSTEM

Embedded Linux OS
Java™ Virtual Machine (JVM)
AspectFT Runtime Engine

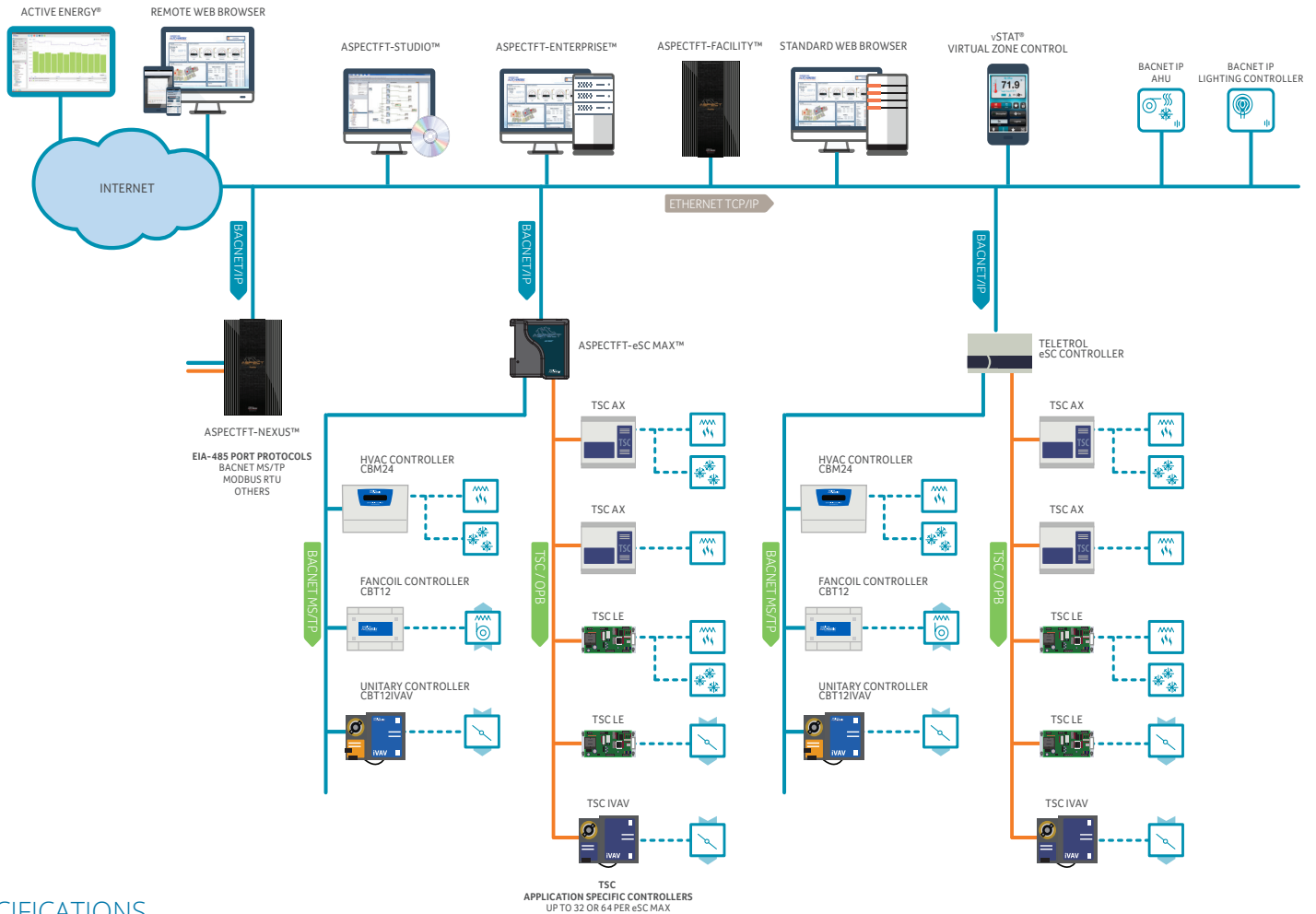


**AMERICAN
AUTO-MATRIX®**
A Cylon Energy Inc. Company

www.aamatrix.com

- Multiple Communication Protocols**
Interacts seamlessly with Teletrol TSC and BACnet® protocol products, as well as other third-party protocols like Modbus®
- AspectFT Control Engine**
Alarm, trend, energy and schedule management, and custom programming capabilities
- Receive Important Building Information**
AspectFT utilizes everyday web technologies, including email, Twitter®, and common Internet protocols, to provide the end-user more freedom
- HTML5 Integration**
The HTML5 interface is created automatically with no additional effort required. This intuitive HTML5 interface automatically scales to the PCs, smart phones, tablets, and other mobile devices you use every day
- Door Switch**
For tamper-state alarming
- HTML5 & Java-Based GUI**
Site data easily is accessible from all standard web browsers and does not require proprietary software plug-ins
- Schedule & Calendar Implementation**
Interact with Microsoft® Exchange® calendars as well as iCalendar format tools including Microsoft Outlook® 2007, iCal®, Google Calendar™ and other popular programs
(maximum of 10 schedules)
- Remote Commissioning Access**
American Auto-Matrix products can be programmed and flash upgraded over IP through this device
- Comprehensive User/Group Security**
Restrict or allow access to myriad of points based on individual or group credentials
- SQLite Support**
Included at no additional cost. 16 GB MicroSD data storage, factory installed

PART NUMBERS	
ASPECT-MAX-ESC-270	2 ports, MS/TP and TSC. 32 devices per port (64 total) (equivalent eSC-270T)
ASPECT-MAX-ESC-278	2 ports, MS/TP and TSC. 64 devices per port (128 total) (equivalent eSC-278T)
ASPECT-MAX-ESC-UPGR	Upgrades an ASPECT-MAX-ESC-270 to an ASPECT-MAX-ESC-278
NOTE : In standalone mode, the eSC-MAX controllers should not be used to support more than 64 devices.	



SPECIFICATIONS

CPU
Processor: ARM Cortex-A8 1 GHz with embedded Linux OS
Memory: 512 MB SDRAM, 2 GB flash

Connections
EIA-485:
Connection Type: 3 position
Termination Count: 2 connections
Baud Rates: 9.6 / 38.4 / 57.6 / 76.8 / 115.2 kbps
Termination: 249 Ohm - switch selectable
Biasing: 3.32k - switch selectable
LED: indication for TXD, RXD, Byte-Error, Parity-Error
Protocol: license enforced, driver selectable
Network Load: license enforced, up to 64 devices per port

Ethernet:
Connection Type: 1 RJ-45 - 10/100 MB auto-sensing

Setup & Configuration
Software: AspectFT-Studio 2.05 or greater w/ USB copy protection key & license file
Browser: Standard web browsers that support HTML5 include :
 Internet Explorer 8/9/10, Firefox, Opera 12, Safari 6, and Google Chrome

Dimensions 6.7" x 6.5" x 1.5"

Power Requirements
Connection / Source: 24 VAC - 50/60 Hz - 1.35 A max

Operating Conditions
Temperature: 50° F to 104° F (10° C to 40° C)
Humidity: 0 to 80% RH non-condensing

Agency Approvals
CE Approved
FCC, Class A Computing Device; Part 15
UL/cUL Listed, Open Energy Management (PAZX/PAZX7), E95642



American Auto-Matrix
 One Technology Lane
 Export, PA 15632
 (724) 733-2000

aam@aamatrix.com
www.aamatrix.com

This document must not be copied in part or in whole for any purpose other than that which it was intended, and does not constitute any warranty, expressed or implied. Every effort has been made to ensure that all information was correct at the time of publication. Should a variation in information or data between the English version and translated versions of this document occur, the English variant takes precedence. AAM reserves the right to alter the specifications, performance, capabilities, and presentation of this product at any time. Appropriate safety precautions must always be taken when operating or maintaining equipment connected to any American Auto-Matrix product, licensed materials, or hardware. AAM assumes no responsibility or liability for any injuries or damage to any persons or property resulting from the use of these products. As always, these products should be used in the manner they are intended.

All trademarks, trade names, service marks, or logos contained herein are the property of their respective owners and are only used to describe the product(s) being listed in this document. Every effort has been made to properly capitalize, punctuate, and identify and attribute all required trademarks with the use of the appropriate © or ™ wherever practical and possible. American Auto-Matrix, Smart Building Solutions, Solution Integrator, the Rocket-A, AspectFT, Auto-Flow, AspectFT-Facility, AspectFT-Enterprise, AspectFT-Studio, AspectFT-Nexus, AspectFT-Matrix MAX, and vSTAT are either registered trademarks or trademarks of American Auto-Matrix.